



1080pHD

**HDMI**  
HIGH-DEFINITION MULTIMEDIA INTERFACE

 Windows

**oem**





# Versatile Video Wall Systems

The AlphaWall Video Wall solution provides you with the ultimate, immersive display solution. The ultra-slim bezel widths give near seamless presentation and make various formats of display and attractive layouts possible.

High Contrast Ratio, Non-Glare panels with high durability ensure that AlphaWall delivers, time after time.

AlphaWall is used in Reception Areas, Boardrooms, Retail Space, Shopping Centres, Colleges and Universities and can be installed in any matrix format.

Control can be direct from a local or remote PC, single full screen display or multi-screen options – the choice is yours. All installations and annual maintenance are delivered by our in-house professionals.

## Sizes Available

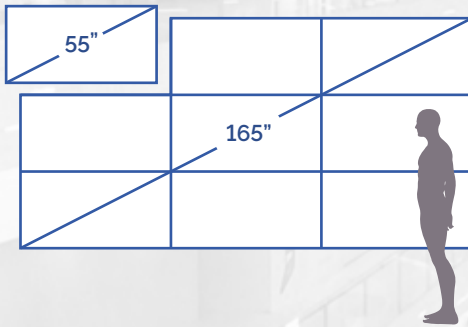
46"

49"

55"

## Key Features

- Original OEM Panels
- 450cd/m2 Brightness
- Ultra-slim Bezel
- 60000 Hours Lifetime
- HDMI, VGA, AV, DVI, ID & RS232 Ports
- Full 1080p Resolution



## Technical Specifications

Model	PJ4602L	PJ4901L-E	PJ5501L-E
Panel OEM	Samsung	LG	Samsung
Technology	DID LCD	DID LED BLU	DID LED BLU
Panel Size	46"	49"	55"
Resolution	1920*1080	1920*1080	1920*1080
Aspect Ratio	16:9	16:9	16:9
Response Time	6ms	6ms	6ms
Contrast Ratio	4500:1	4500:1	4500:1
Brightness	450cd/m2	450cd/m2	450cd/m2
Viewing Angel (H/V)	178°/178°	178°/178°	178°/178°
Bezel Pitch (mm)	3.5	3.5	3.5
Bare Dimension (mm)	1048 x 642 x 74.2	1151 x 696 x 73	1343 x 794 x 98
Packing Dimension (mm)	1160 x 770 x 155	1270 x 820 x 155	1490 x 990 x 267
Weight (kg)	23	25	30